



Shading Tension System 300 Internal vertical roller system



Application

STS 300 is primarily designed for commercial buildings such as offices, shops, hotels and airports.

STS 300 is large scale, cost effective solution for rectangular fabric shades which are installed on vertical applications.

Design Specifications

- A single 85 mm galvanized steel or 127 mm aluminium roller incorporating the drive motor.
- Extruded aluminium hem bar supporting the free end of the fabric.
- Two 3 mm diameter nylon coated stainless steel cables.

Design Options

- Relieving roller for intermediate fabric support.

Installation

- Supplied with either top or back fix roller brackets.
- Supplied with back fix anchor brackets.

Finishes

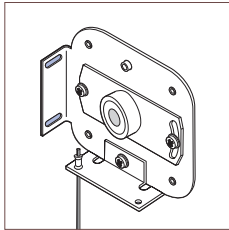
- Aluminium components - polyester powder finish, 30% gloss.
- Steel - galvanised against corrosion.

Maximum width: 6 m

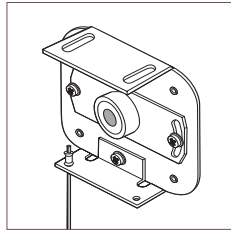
Maximum draw: 12 m

Maximum fabric area: 72 m²

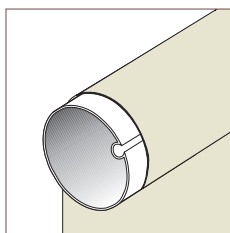
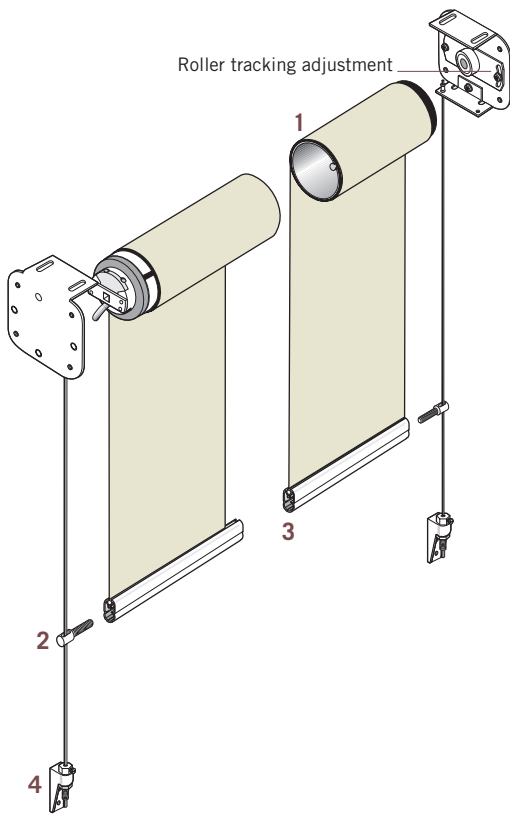
STS 308 Components



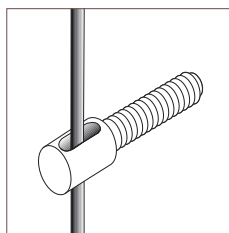
Back fix mounting bracket



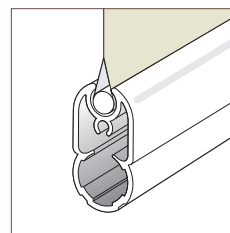
Top fix mounting bracket



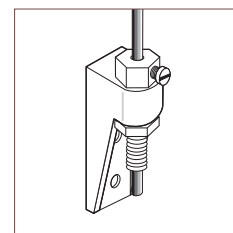
1 Fabric roller



2 Hem bar end cap

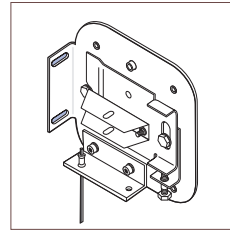


3 Hem bar
Weight = 0.5 kg/m
1.2 kg/m with additional weight

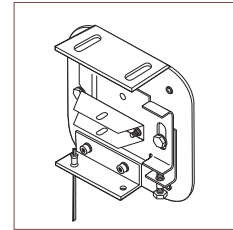


4 Anchor bracket and tensioning screw

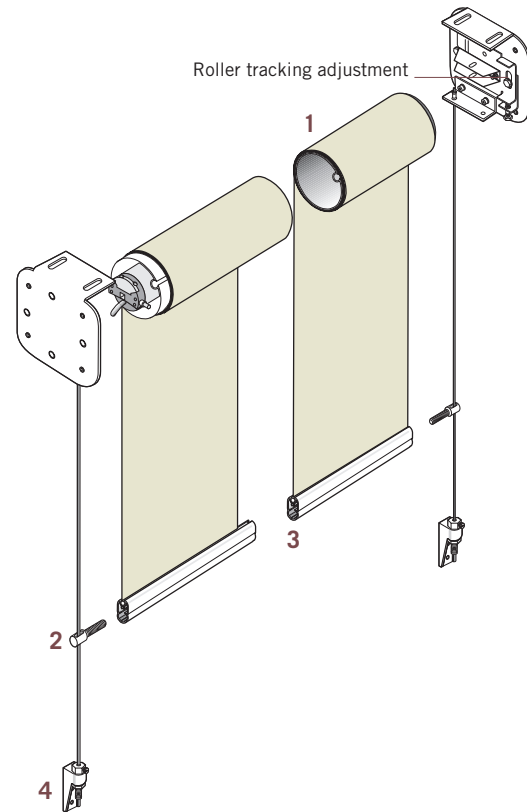
STS 312 Components



Back fix mounting bracket



Top fix mounting bracket



STS 308 & 312 Technical specifications

Model		STS 308	STS 312
Part number		T10893	T11259
Maximum width	(m)	4.2	6
Maximum draw	(m)	6	12
Maximum fabric area	(m ²)	25	72
Basic weight	(kg)	7	9
+ per metre width	(kg)	3	3

Motor

Torque	(Nm)	15	35
Speed	(min ⁻¹)	17	17
Current at 230 V	(A)	0.65	1.5
Cable length	(m)	2.5	2.5
Temperature range	(°C)	-5 to +55	-5 to +55
Maximum run time	(min)	4	4
Minimum fabric speed	(m/min)	5	7

Minimum width - STS 308 Std motor: 718 mm

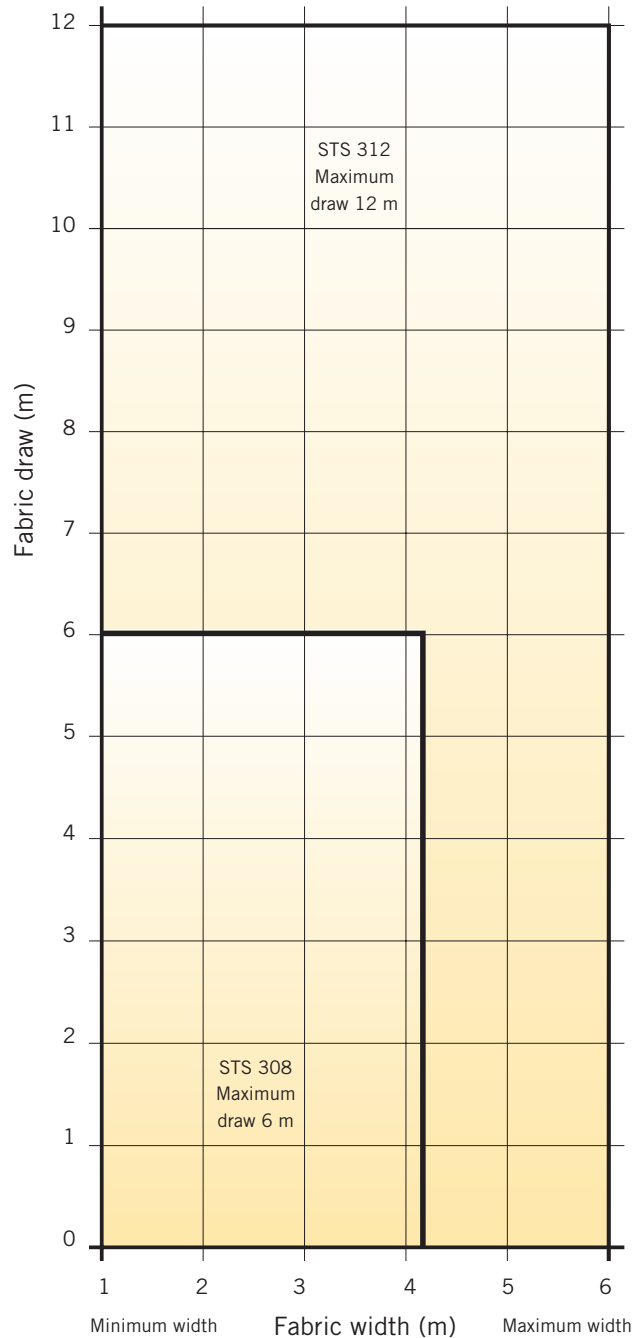
Minimum width - STS 312 Std motor: 970 mm

Calculations are based on a maximum of 1:400 tube deflection.

Maximum fabric area 72 m²*

*This figure is the maximum capacity of the system based on a fabric weight of 450 g/m².

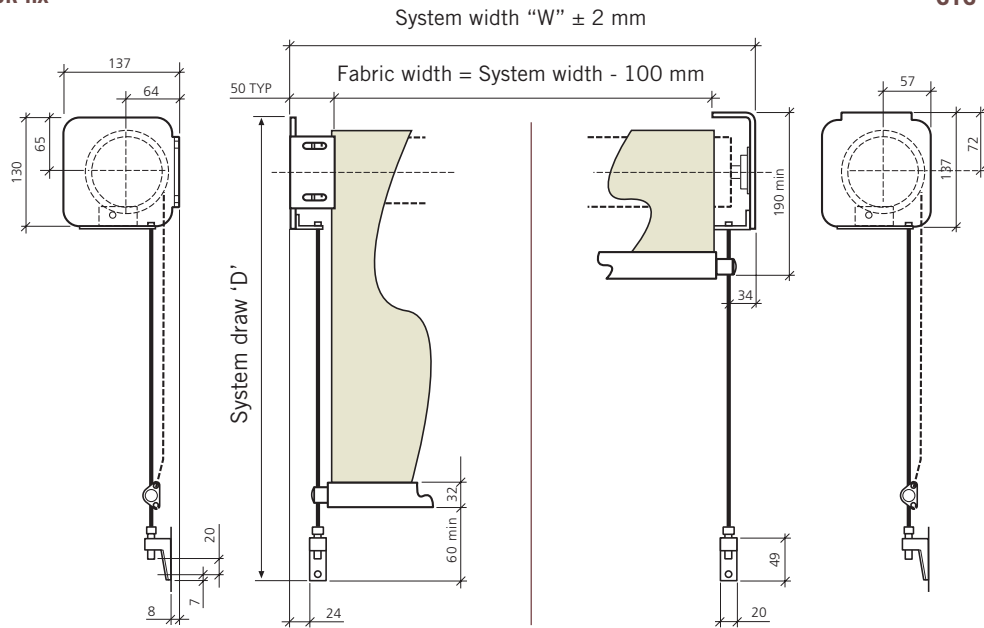
The weight of the fabric and how prone it is to creasing should also be taken into account when sizing the blind.



STS 308 & STS 312 Installation

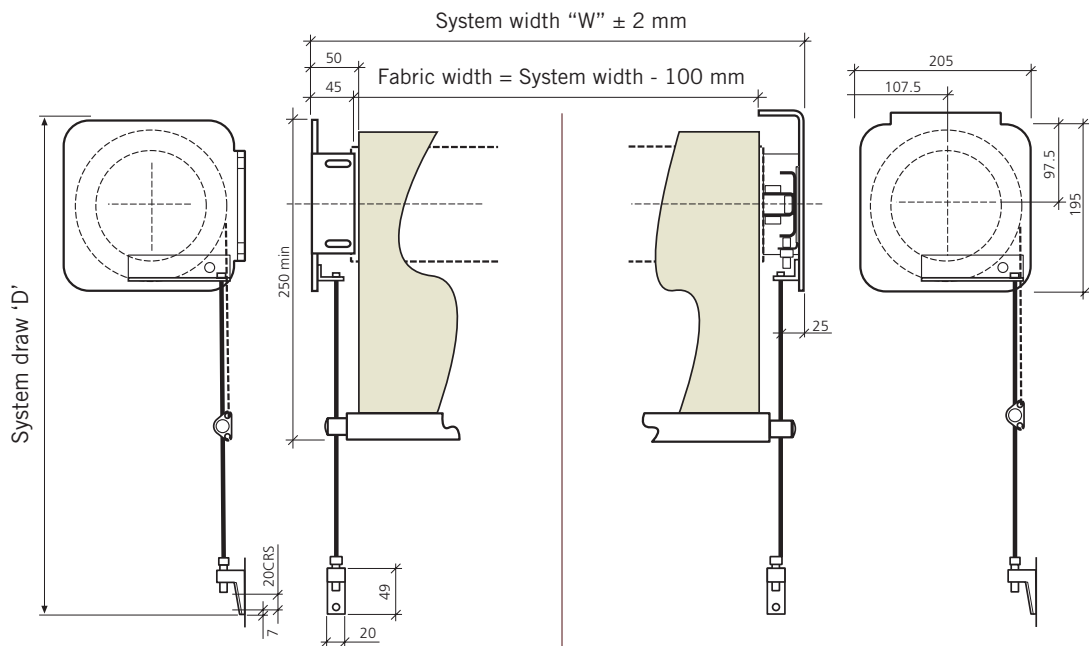
STS 308 back fix

STS 308 top fix



STS 312 back fix

STS 312 top fix



All dimensions in mm.