



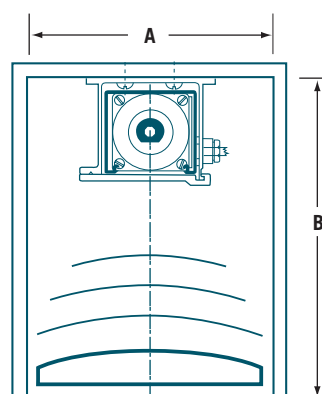
Macquarie University Library - Sydney.

## System installation requirements

The recess requirements to accommodate the head box, retracted slats and base rail.<sup>1</sup>

### A - Recess widths in mm / in

Slat width	Minimum recess widths
80 mm / 3.15 in	120 mm / 4.72 in
100 mm / 3.94 in	140 mm / 5.51 in
150 mm / 5.90 in	190 mm / 7.48 in



### B - Packing/Stacking heights in mm / in

Total height of blind		Stacking height for different slat widths with AKS, AKG and Horiso N systems												*Not available. Indicative dimensions only Rolled edge 80 mm*	
		80 AK-S		80 AK-G		80 N		100 AK-S		100 AK-G		100 N			
mm	in	mm	in	mm	in	mm	in	mm	in	mm	in	mm	in	mm	in
1,500	59.0	180	7.08	185	7.28	180	7.08	170	6.69	175	6.89	170	6.69	210	8.26
2,000	78.4	200	7.87	205	8.07	200	7.87	187	7.36	192	7.56	187	7.36	245	9.65
2,500	98.4	220	8.66	225	8.86	220	8.66	203	7.99	208	8.19	203	7.99	285	11.22
3,000	118.1	240	9.45	245	9.65	240	9.45	220	8.66	225	8.86	220	8.66	320	12.60
3,300	129.9	252	9.92	257	10.12	252	9.92	230	9.05	235	9.25	230	9.05	-	-
4,000	157.5	-	-	285	11.22	280	11.00	-	-	258	10.15	253	9.70	395	15.55
5,000	196.9	-	-	325	12.80	320	12.60	-	-	292	11.49	287	11.30	-	-
6,000	236.2	-	-	365	14.37	360	14.20	-	-	325	12.80	320	12.60	-	-
7,000	275.6	-	-	405	15.94	400	15.80	-	-	358	14.09	353	13.90	-	-
8,000	317.7	-	-	445	17.52	-	-	-	-	392	15.43	-	-	-	-
9,000	354.3	-	-	485	19.00	-	-	-	-	425	16.73	-	-	-	-

<sup>1</sup>Tables are indicative only. Packing heights may vary significantly depending on the behaviour of the lifting tape and ladder braid.